

SRC Copacabana - Vanjska rasvjeta

Partner for Contact:

Order No.:

Company:

Customer No.:

Date: 21.02.2023

Operator:



Operator
Telephone
Fax
e-Mail

Table of contents

SRC Copacabana - Vanjska rasvjeta	
Project Cover	1
Table of contents	2
Luminaire parts list	3
CARIBONI GROUP 01KR1D60931AHM4 KAIROS S R3 LA-01 700mA 3K	
Luminaire Data Sheet	4
Vanjska situacija	
Luminaire parts list	5
Objects (layout plan)	6
Calculation surfaces (results overview)	7
Exterior Surfaces	
Calculation Surface 1	
Isolines (E, Perpendicular)	8
Greyscale (E, Perpendicular)	9
Value Chart (E, Perpendicular)	10
Prometnica prema zgradi br.8	
Isolines (E, Perpendicular)	11
Greyscale (E, Perpendicular)	12
Value Chart (E, Perpendicular)	13

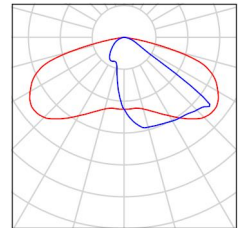


Operator
Telephone
Fax
e-Mail

SRC Copacabana - Vanjska rasvjeta / Luminaire parts list

70 Pieces CARIBONI GROUP 01KR1D60931AHM4
KAIROS S R3 LA-01 700mA 3K
Article No.: 01KR1D60931AHM4
Luminous flux (Luminaire): 9845 lm
Luminous flux (Lamps): 9845 lm
Luminaire Wattage: 78.0 W
Luminaire classification according to CIE: 100
CIE flux code: 36 74 97 100 100
Fitting: 1 x R3 78W700mA 3K (Correction Factor 1.000).

See our luminaire catalog for an image of the luminaire.



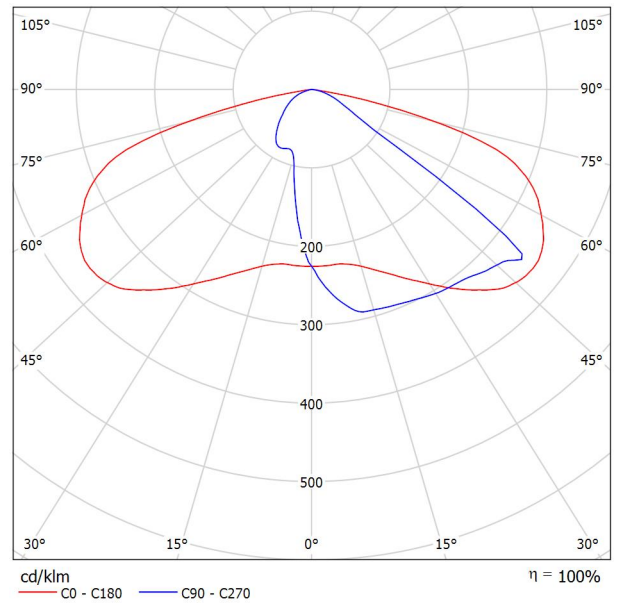


Operator
Telephone
Fax
e-Mail

CARIBONI GROUP 01KR1D60931AHM4 KAIROS S R3 LA-01 700mA 3K / Luminaire Data Sheet

See our luminaire catalog for an image of the luminaire.

Luminous emittance 1:



Luminaire classification according to CIE: 100
CIE flux code: 36 74 97 100 100

Due to missing symmetry properties, no UGR table can be displayed for this luminaire.

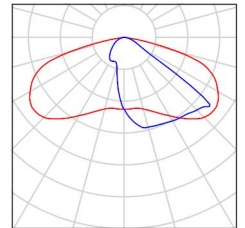


Operator
Telephone
Fax
e-Mail

Vanjska situacija / Luminaire parts list

70 Pieces CARIBONI GROUP 01KR1D60931AHM4
KAIROS S R3 LA-01 700mA 3K
Article No.: 01KR1D60931AHM4
Luminous flux (Luminaire): 9845 lm
Luminous flux (Lamps): 9845 lm
Luminaire Wattage: 78.0 W
Luminaire classification according to CIE: 100
CIE flux code: 36 74 97 100 100
Fitting: 1 x R3 78W700mA 3K (Correction Factor 1.000).

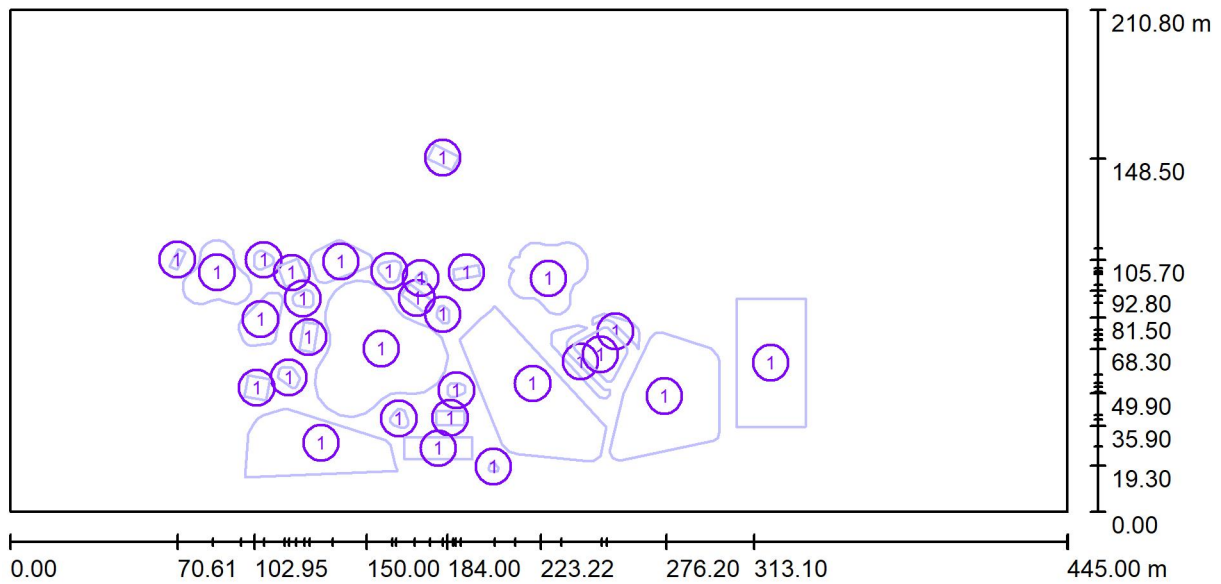
See our luminaire catalog for an image of the luminaire.





Operator
 Telephone
 Fax
 e-Mail

Vanjska situacija / Objects (layout plan)



Scale 1 : 3182

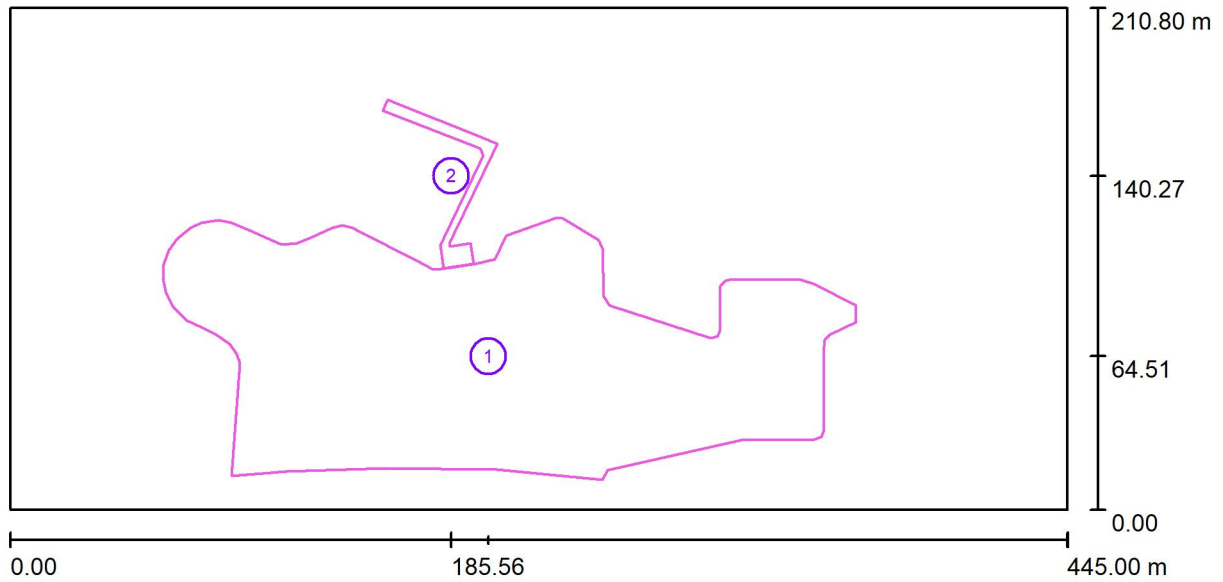
Object parts list

No.	Pieces	Designation
1	30	Extrusion Volume



Operator
Telephone
Fax
e-Mail

Vanjska situacija / Calculation surfaces (results overview)



Scale 1 : 3182

Calculation Surface List

No.	Designation	Type	Grid	E_{av} [lx]	E_{min} [lx]	E_{max} [lx]	u0	E_{min} / E_{max}
1	Calculation Surface 1	perpendicular	128 x 128	23	0.47	44	0.020	0.011
2	Prometnica prema zgradi br.8	perpendicular	128 x 64	26	14	32	0.555	0.447

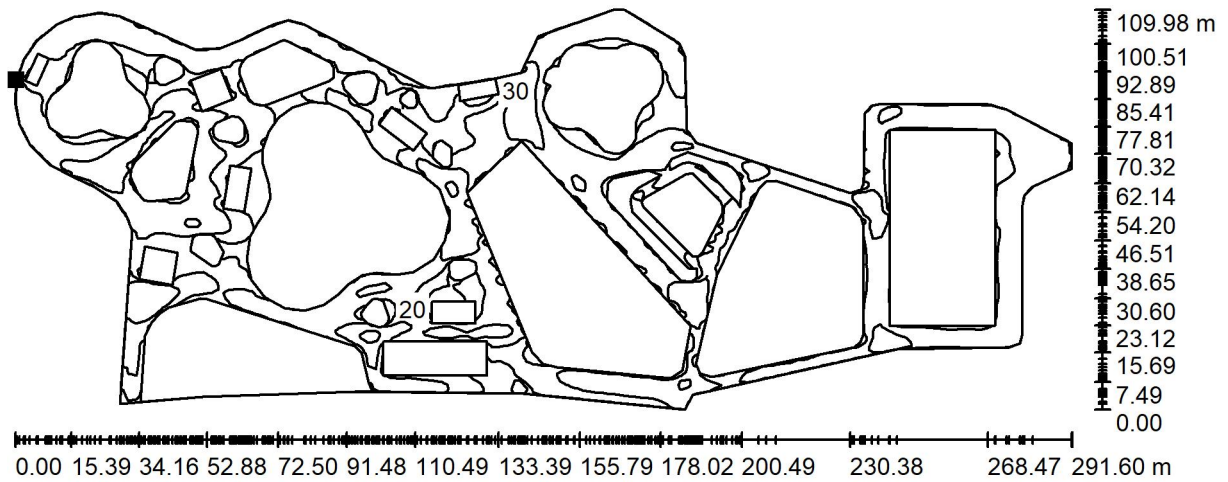
Summary of Results

Type	Quantity	Average [lx]	Min [lx]	Max [lx]	u0	E_{min} / E_{max}
perpendicular	2	23	0.47	44	0.02	0.01



Operator
Telephone
Fax
e-Mail

Vanjska situacija / Calculation Surface 1 / Isolines (E, Perpendicular)

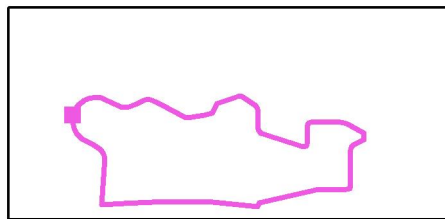


Values in Lux, Scale 1 : 2085

Position of surface in external scene:

Marked point:

(64.708 m, 103.147 m, 0.000 m)



Grid: 128 x 128 Points

E_{av} [lx]
23

E_{min} [lx]
0.47

E_{max} [lx]
44

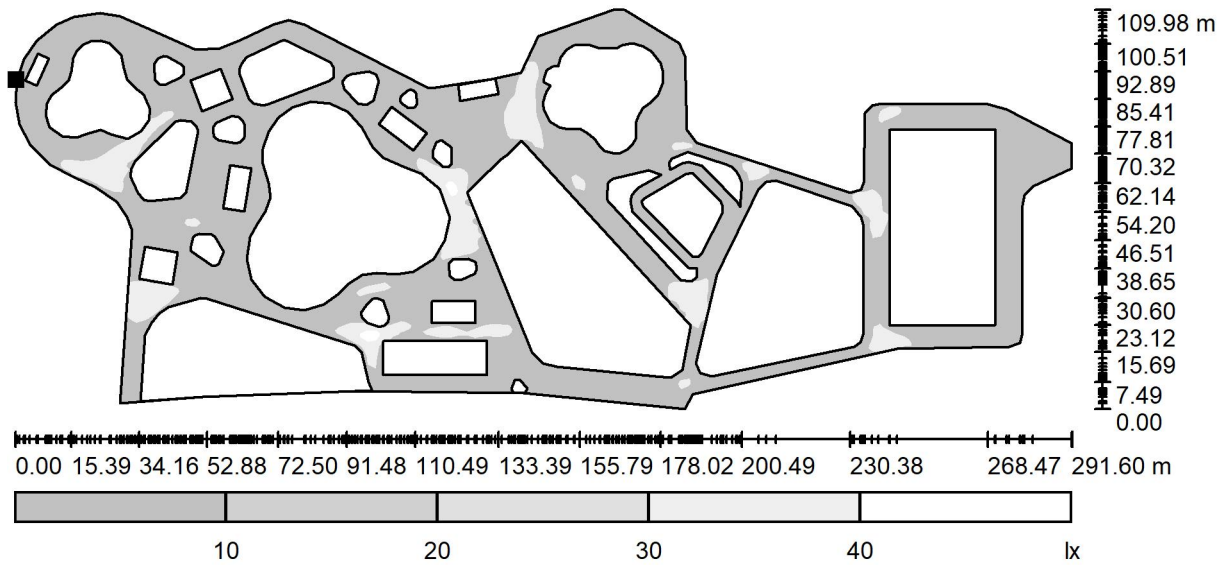
u_0
0.020

E_{min} / E_{max}
0.011



Operator
Telephone
Fax
e-Mail

Vanjska situacija / Calculation Surface 1 / Greyscale (E, Perpendicular)



Scale 1 : 2085

Position of surface in external scene:

Marked point:

(64.708 m, 103.147 m, 0.000 m)



Grid: 128 x 128 Points

E_{av} [lx]
23

E_{min} [lx]
0.47

E_{max} [lx]
44

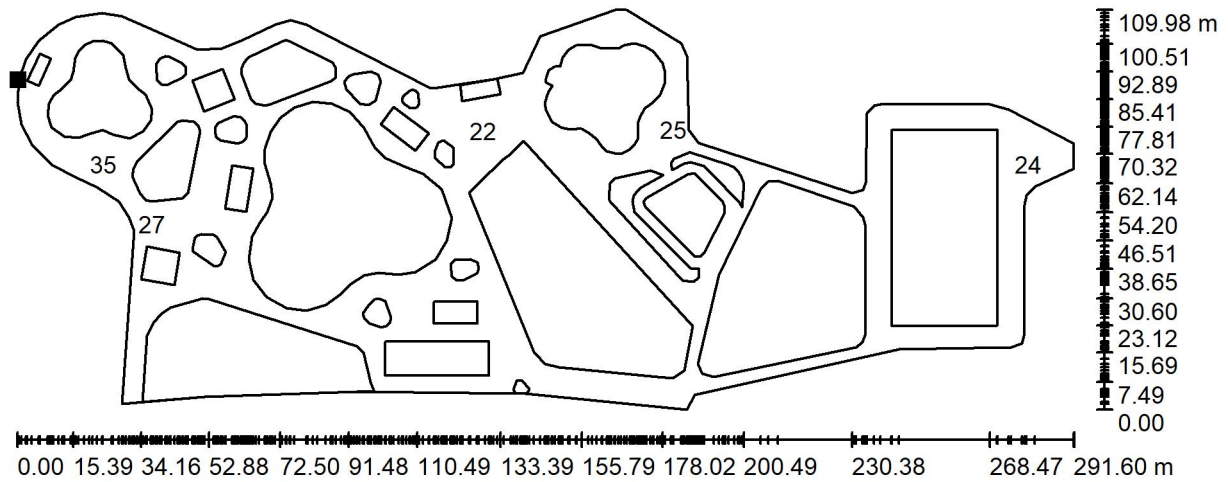
u_0
0.020

E_{min} / E_{max}
0.011



Operator
Telephone
Fax
e-Mail

Vanjska situacija / Calculation Surface 1 / Value Chart (E, Perpendicular)

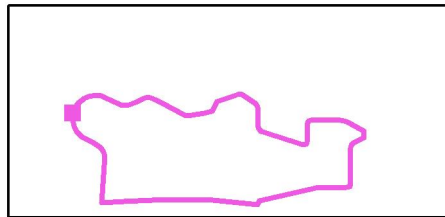


Values in Lux, Scale 1 : 2085

Not all calculated values could be displayed.

Position of surface in external scene:

Marked point:
(64.708 m, 103.147 m, 0.000 m)



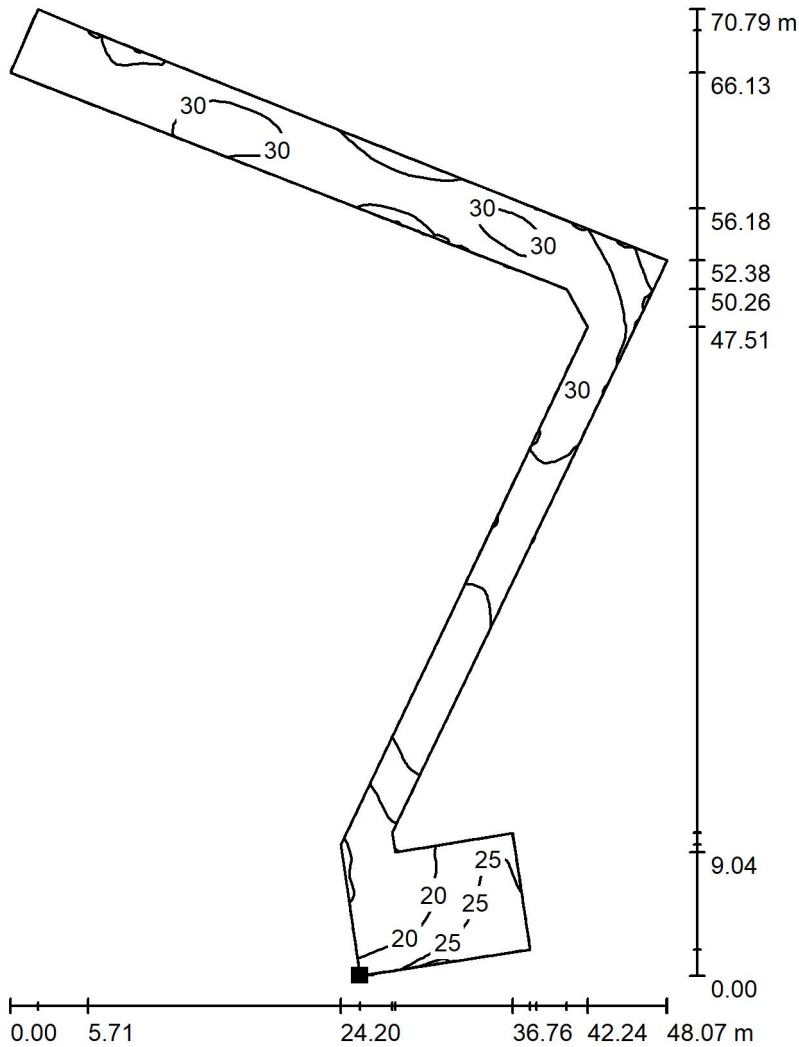
Grid: 128 x 128 Points

E_{av} [lx]	E_{min} [lx]	E_{max} [lx]	u0	E_{min} / E_{max}
23	0.47	44	0.020	0.011



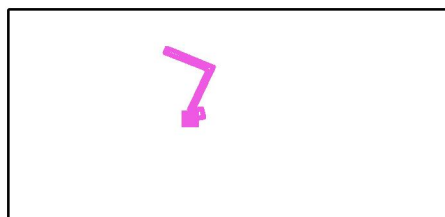
Operator
Telephone
Fax
e-Mail

Vanjska situacija / Prometnica prema zgradi br.8 / Isolines (E, Perpendicular)



Values in Lux, Scale 1 : 554

Position of surface in external scene:
Marked point:
(182.493 m, 101.518 m, 0.000 m)



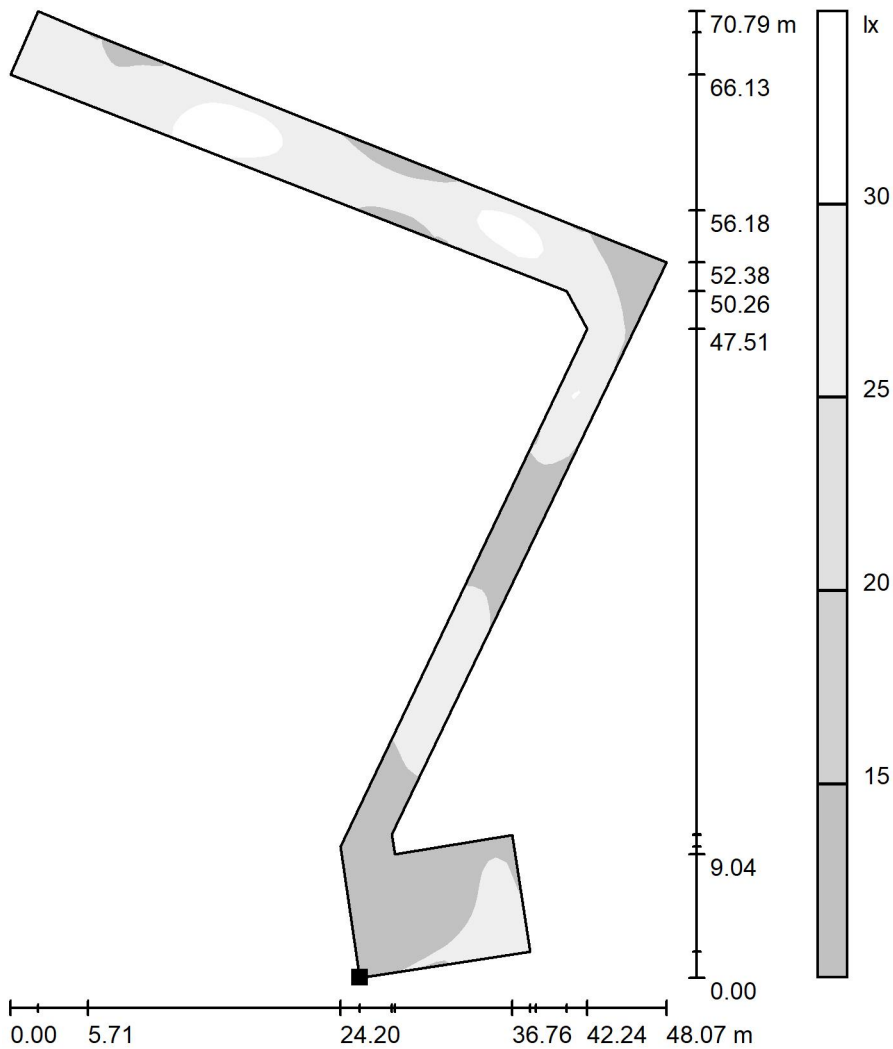
Grid: 128 x 64 Points

E_{av} [lx]	E_{min} [lx]	E_{max} [lx]	u0	E_{min} / E_{max}
26	14	32	0.555	0.447



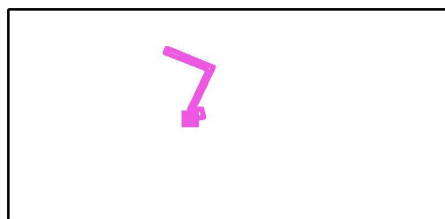
Operator
Telephone
Fax
e-Mail

Vanjska situacija / Prometnica prema zgradi br.8 / Greyscale (E, Perpendicular)



Scale 1 : 554

Position of surface in external scene:
Marked point:
(182.493 m, 101.518 m, 0.000 m)



Grid: 128 x 64 Points

E_{av} [lx]
26

E_{min} [lx]
14

E_{max} [lx]
32

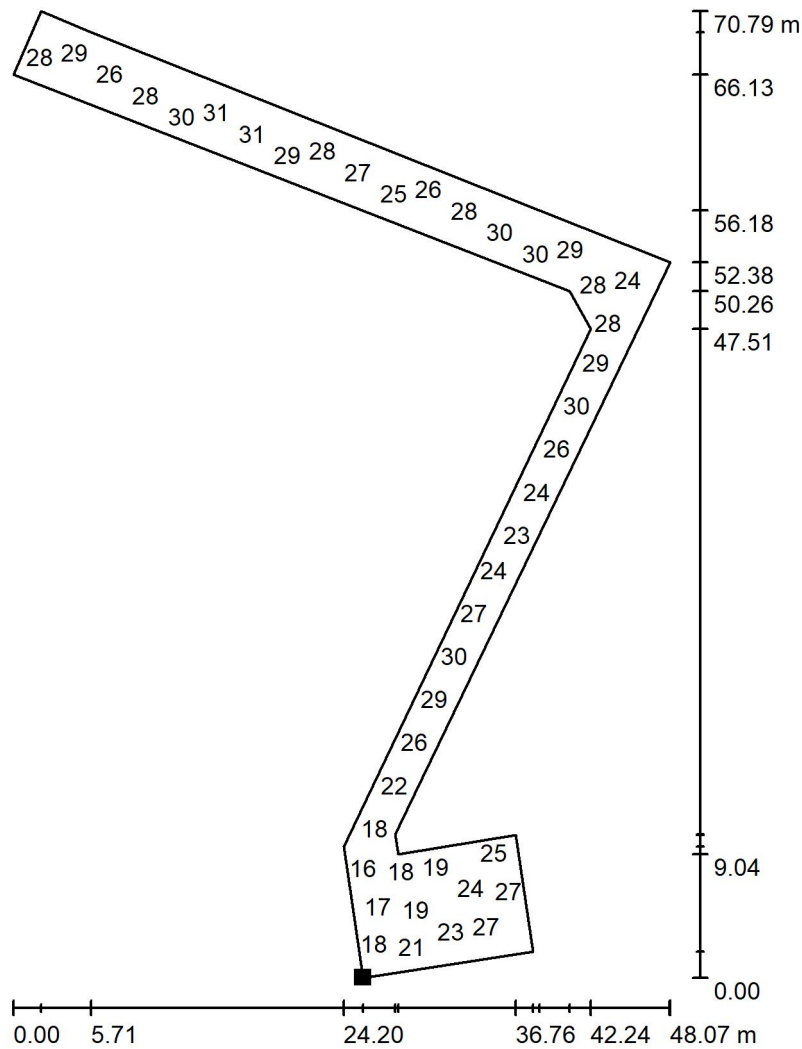
u_0
0.555

E_{min} / E_{max}
0.447



Operator
Telephone
Fax
e-Mail

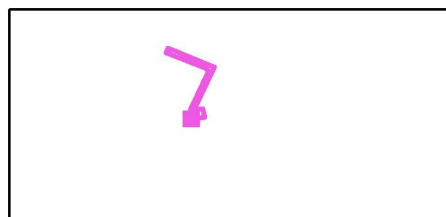
Vanjska situacija / Prometnica prema zgradi br.8 / Value Chart (E, Perpendicular)



Values in Lux, Scale 1 : 554

Not all calculated values could be displayed.

Position of surface in external scene:
Marked point:
(182.493 m, 101.518 m, 0.000 m)



Grid: 128 x 64 Points

E_{av} [lx]	E_{min} [lx]	E_{max} [lx]	u0	E_{min} / E_{max}
26	14	32	0.555	0.447